

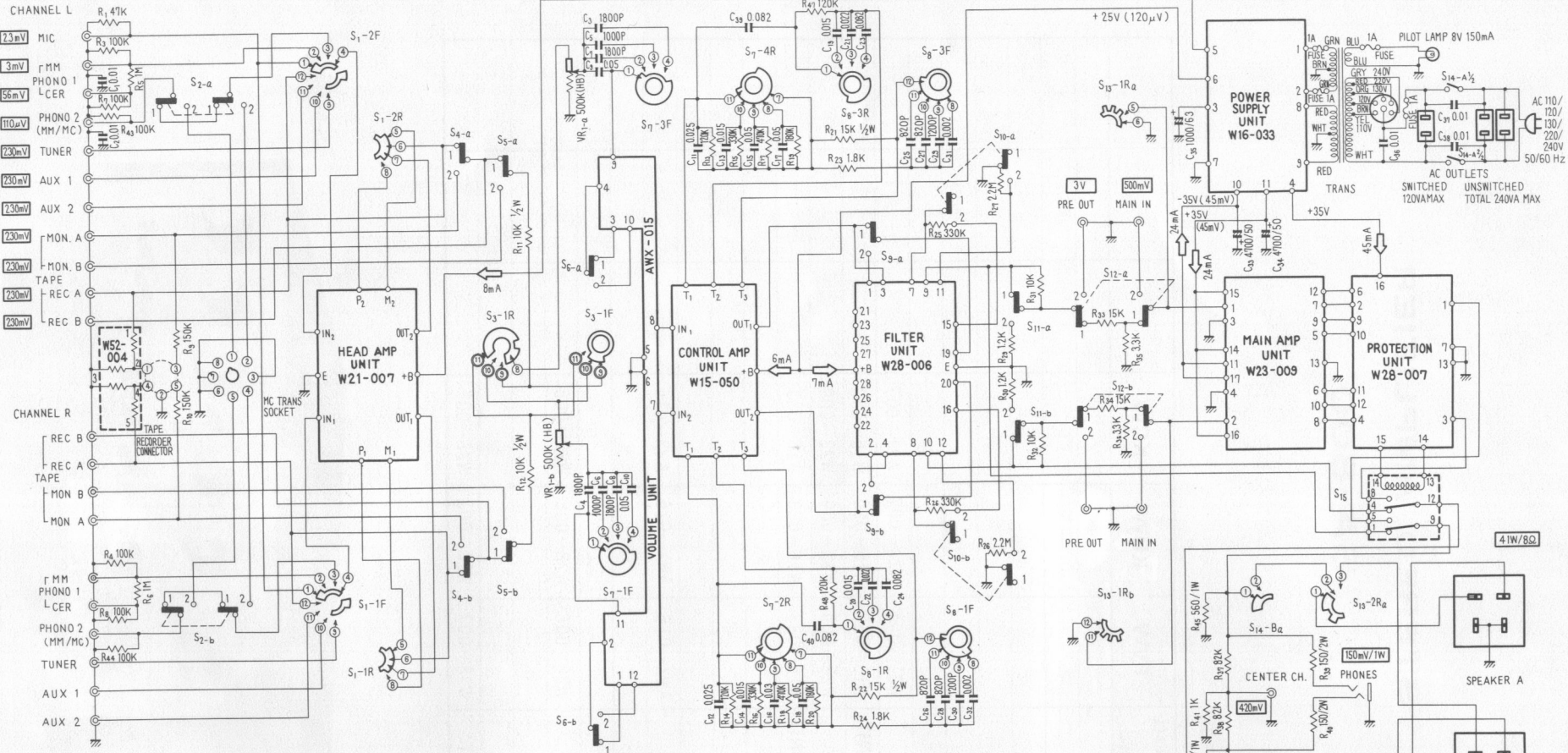
## STEREO AMPLIFIER

## SA-800

UNIT \ ROUND LABEL	FWW	KUW	KCW			
FM FRONT END						
FM IF UNIT						
MPX UNIT						
AM TUNER UNIT						
MUTING UNIT						
HEAD AMP UNIT	W21-007	W21-007	W21-007			
CONTROL AMP UNIT	W15-050	W15-050	W15-050			
MAIN AMP UNIT	W23-009	W23-009	W23-009			
POWER SUPPLY UNIT	W16-033	W16-033	W16-033			
SWITCH UNIT						
SWITCH UNIT						
SWITCH UNIT						
VR UNIT	AWX-015	AWX-015	AWX-015			
CONTROL UNIT						
MIC AMP UNIT						
FILTER UNIT	W28-006	W28-006	W28-006			
REVERBE UNIT						
PROTECTION UNIT	W28-007	W28-007	W28-007			



# SA-800/FVW



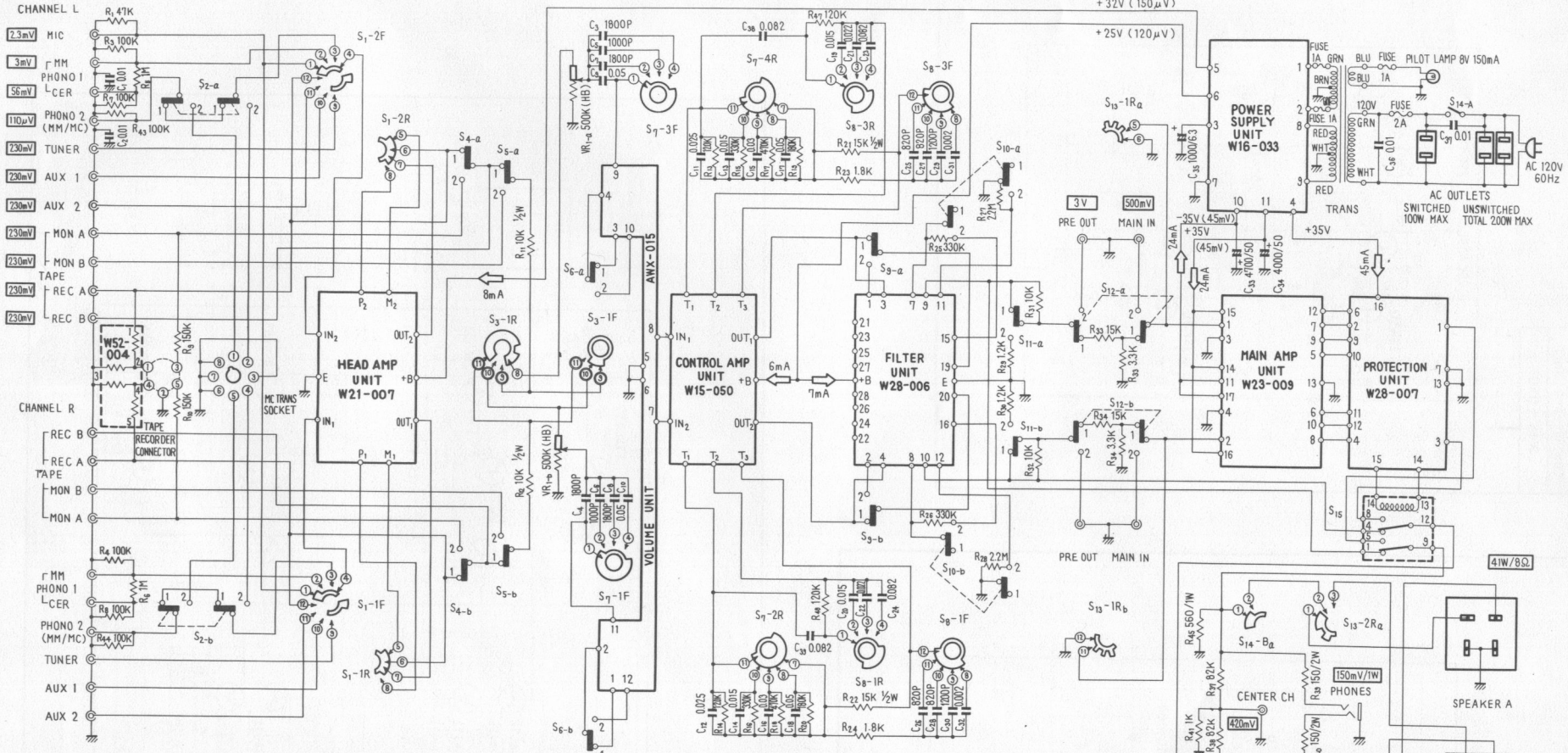
- SWITCHES**
- S<sub>1</sub> INPUT SELECTOR  
 1. MIC 2. PHONO 1 3. PHONO 2 4. TUNER 5. AUX 1 6. AUX 2
- S<sub>2</sub> PHONO 2 SELECTOR  
 1. MM 2. MC
- S<sub>3</sub> MODE SELECTOR  
 1. REV 2. NORM 3. L 4. R 5. L+R
- S<sub>4</sub> TAPE MONITOR 1 SW 1. OFF 2. ON
- S<sub>5</sub> TAPE MONITOR 2 SW 1. OFF 2. ON
- S<sub>6</sub> LOUDNESS SW 1. OFF 2. ON
- S<sub>7</sub> BASS CONTROL -9dB ~ +12dB (at 100Hz)
- S<sub>8</sub> TREBLE CONTROL -12dB ~ +9dB (at 10kHz)
- S<sub>9</sub> LOW FILTER SW 1. OFF 2. ON
- S<sub>10</sub> HIGH FILTER SW 1. OFF 2. ON
- S<sub>11</sub> MUTING SW 1. OFF 2. -20dB
- S<sub>12</sub> PRE & MAIN SW 1. INTERCOUPLED 2. SEPARATED
- S<sub>13</sub> OUTPUT SELECTOR  
 1. OFF 2. A 3. B 4. A+B
- S<sub>14</sub> POWER SW 1. OFF 2. ON
- S<sub>15</sub> RELAY 1. OFF 2. ON

- POTENTIOMETERS**  
 VR<sub>1</sub> BALANCE CONTROL
- RESISTORS**  
 ±10% TOLERANCE P-TYPE CARBON 1/4 WATT  
 NON MARK : OHM K: KILOHM M: MEGOHM
- CAPACITORS**  
 NON MARK : MICRO FARAD P: PICO FARAD

V : SIGNAL VOLTAGE AT 40W/8Ω (at 1kHz)  
 (V) : RIPPLE VOLTAGE  
 V : NO INPUT SIGNAL DC VOLTAGE  
 I : NO INPUT SIGNAL DC CURRENT

ITEM NO.	VACANT NO.
R <sub>1</sub> ~ R <sub>48</sub>	R <sub>2</sub> , 42
C <sub>1</sub> ~ C <sub>40</sub>	

# SA-800/KUW



### SWITCHES

- S<sub>1</sub> INPUT SELECTOR  
 1. MIC 2. PHONO 1 3. PHONO 2 4. TUNER 5. AUX 1 6. AUX 2
- S<sub>2</sub> PHONO 2 SELECTOR  
 1. MM 2. MC
- S<sub>3</sub> MODE SELECTOR  
 1. REV 2. NORM 3. L 4. R 5. L+R
- S<sub>4</sub> TAPE MONITOR 1 SW 1. OFF 2. ON  
 S<sub>5</sub> TAPE MONITOR 2 SW 1. OFF 2. ON  
 S<sub>6</sub> LOUDNESS SW 1. OFF 2. ON  
 S<sub>7</sub> BASS CONTROL -9dB ~ +12dB (at 100Hz)  
 S<sub>8</sub> TREBLE CONTROL -12dB ~ +9dB (at 10kHz)  
 S<sub>9</sub> LOW FILTER SW 1. OFF 2. ON  
 S<sub>10</sub> HIGH FILTER SW 1. OFF 2. ON  
 S<sub>11</sub> MUTING SW 1. OFF 2. -20dB  
 S<sub>12</sub> PRE & MAIN SW 1. INTERCOUPLED 2. SEPARATED
- S<sub>13</sub> OUTPUT SELECTOR  
 1. OFF 2. A 3. B 4. A+B
- S<sub>14</sub> POWER SW 1. OFF 2. ON  
 S<sub>15</sub> RELAY 1. OFF 2. ON

### POTENTIOMETERS

- VR<sub>1</sub> BALANCE CONTROL

### RESISTORS

- ±10% TOLERANCE P-TYPE CARBON 1/4 WATT  
 NON MARK : OHM K-KILOHM M-MEGOHM

### CAPACITORS

- NON MARK : MICRO FARAD P-PICO FARAD

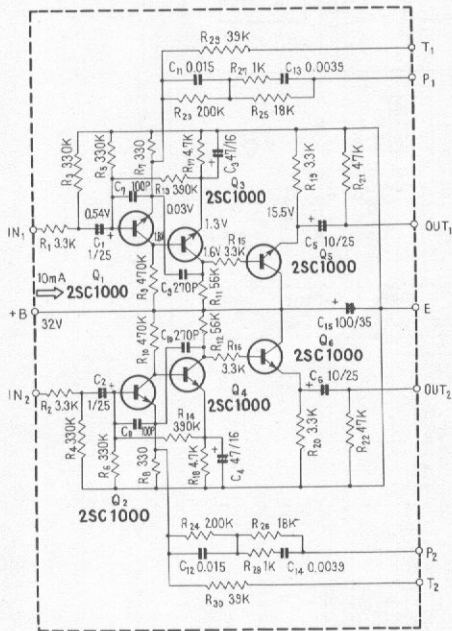
- : SIGNAL VOLTAGE AT 40W/8Ω (at 1kHz)  
 : RIPPLE VOLTAGE  
 : NO INPUT SIGNAL DC VOLTAGE  
 : NO INPUT SIGNAL DC CURRENT

ITEM NO.	VACANT NO.
R <sub>1</sub> ~ R <sub>48</sub>	R <sub>2</sub> , 42
C <sub>1</sub> ~ C <sub>35</sub>	

# HEAD AMP UNIT

HEAD AMP UNIT

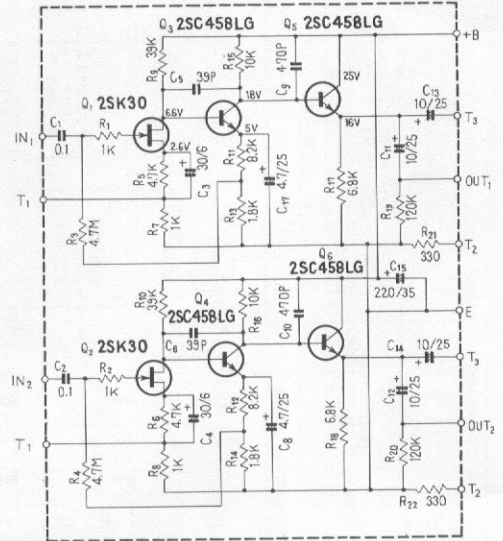
W21-007



# CONTROL AMP UNIT

CONTROL AMP UNIT

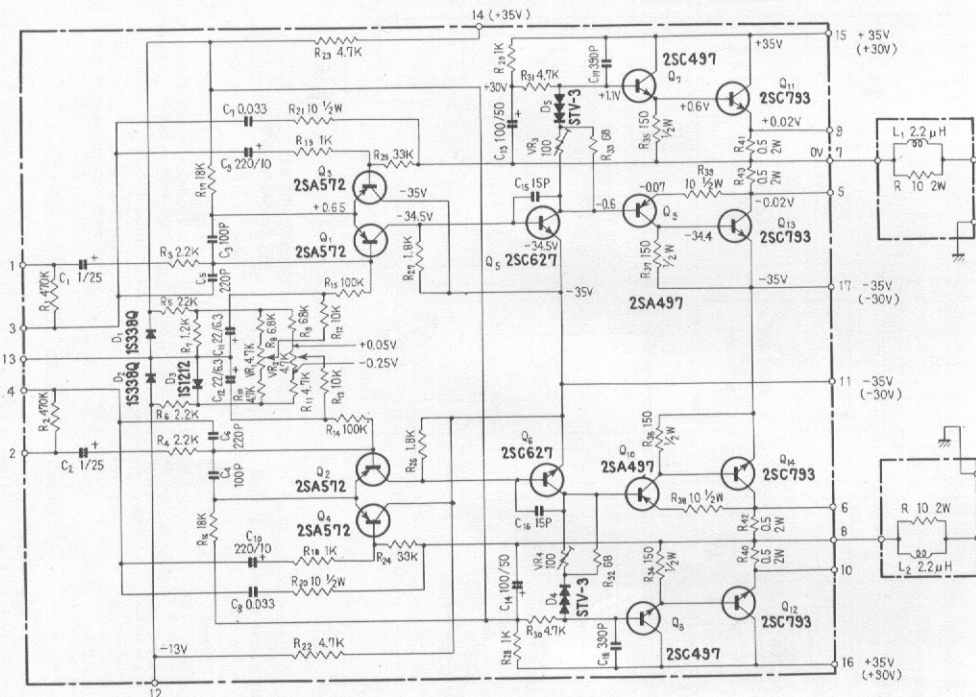
W15-050



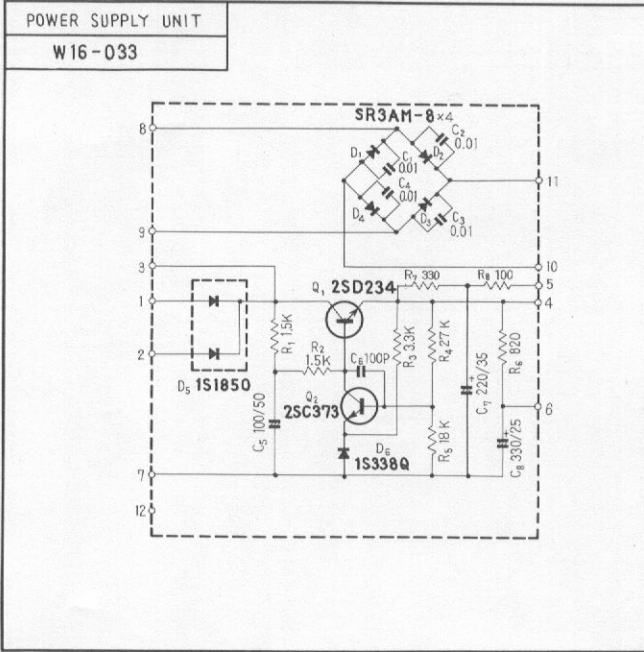
# MAIN AMP UNIT

MAIN AMP UNIT

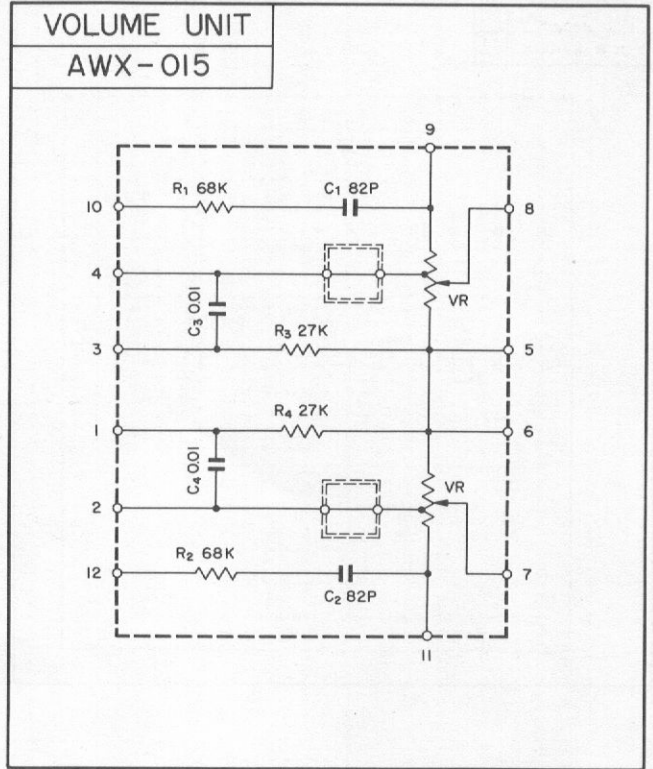
W23-009



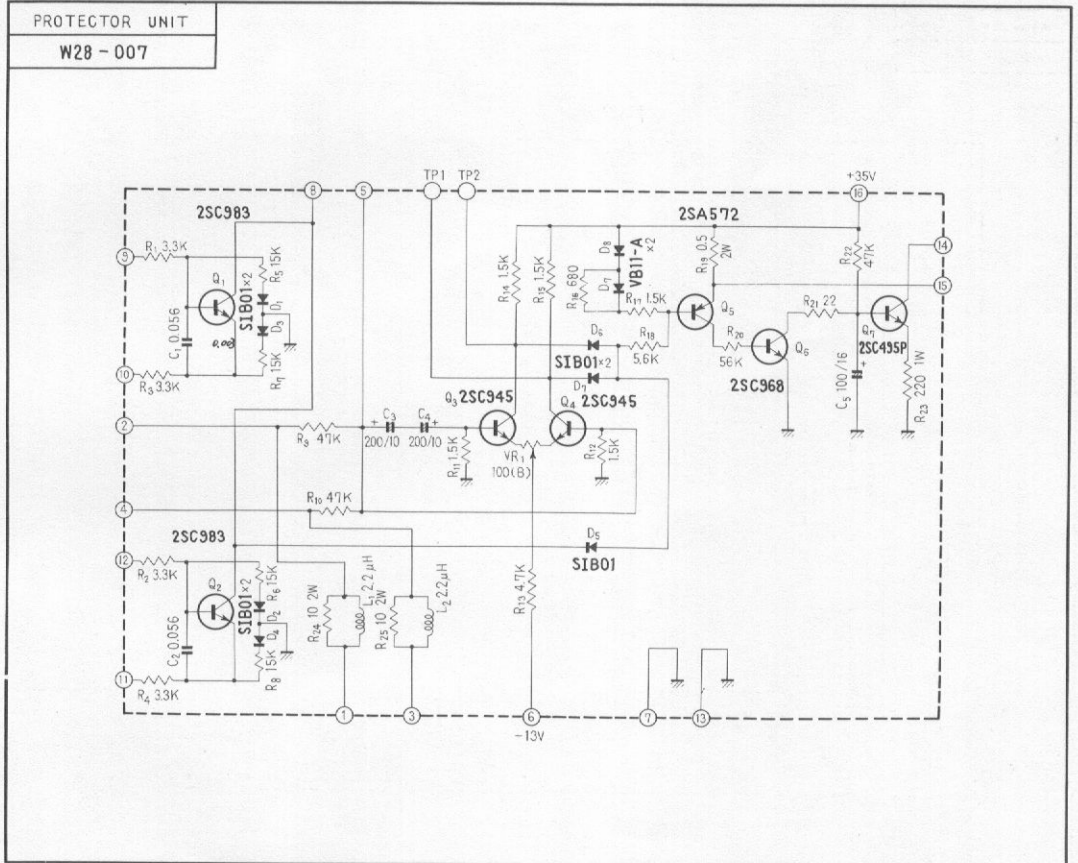
POWER SUPPLY UNIT



VOLUME UNIT



PROTECTOR UNIT



# FILTER UNIT

FILTER UNIT

W28-006

